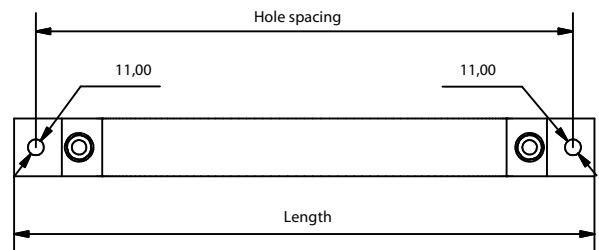
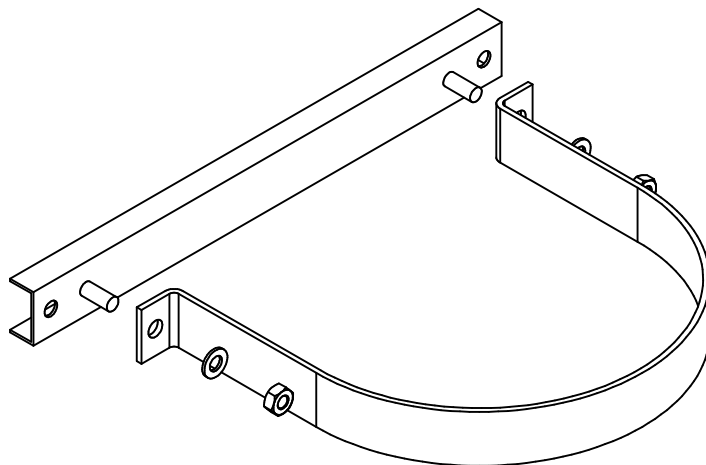
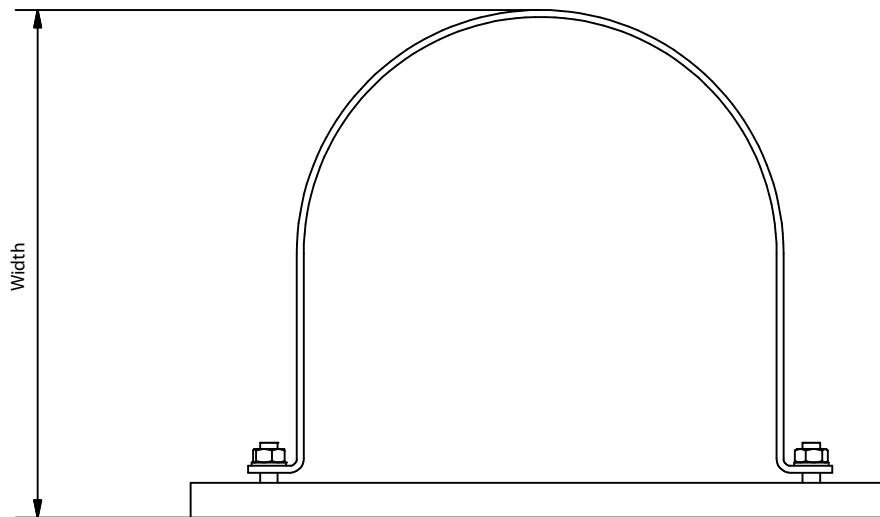


# SUPPORT FOR AUTONOMOUS CYLINDERS

## Hxxx



Reference	Capacity (L.)	Length (mm)	Width (mm)	Hole spacing (mm)
H274	5	274	178	244
H274	6.7	274	178	244
H274	13.4	274	178	244
H364	26.8	364	255	334
H364	40.2	364	255	334
H364	67	402	292	372
H402	80	402	292	372
H120	120	536	384	496

Specifications	
Name	Value
Finished	Black paint ( RAL 9005 )


 Av. Alfonso Peña Boeuf, 6 y 9  
 28022 MADRID - ESPAÑA  
 TEL: +34 913121656  
 FAX: +34 913295820

### DATA SHEET

#### SUPPORT FOR AUTONOMOUS CYLINDERS

Description: Element used to anchor the cylinders to the wall.

Code sheet:	Group sheet:	Reference:	Drawn:	Date:	Revised:	Date:	Review:	Format:
AEX-FTC-04-036	HFC-227ea	VER TABLA	DCM	26/07/2017	MRC	26/07/2017	1	A4

Note: Aguilera Extinción S.L. Reserves the right to modify any of the characteristics stated in this document without notice.